

AvtechTyee's 90-42305 Lightplate Connector provides isolated two circuit power to a mated lightplate. The connector has a floating feature to enhance and facilitate lightplate installation and printed circuit card pins to permit plug mating with Amp 50865 or equivalent PC board sockets.



PCB PIN LIGHTPLATE CONNECTOR

The 90-42305 connector also has a spring for low force ejection of the lightplate plug and mates with MS90335 lightplate plugs.

- Provides isolated two circuit power to mated lightplates
- Connector "floats" thereby facilitating mating of subassemblies
- PC board sockets interface directly with Amp 50865 or equivalent PC board sockets
- Connector is spring loaded for low force ejection of the lightplate plug
- Mates with MS90335 lightplate plugs
- Options available for panel thicknesses of 0.062" and 0.125"

Lightplate Connector PN	Panel Thickness
90-42305-1	0.062" thick
90-42305-2	0.125" thick

Since 1969 AvtechTyee has been a leader in the design, development, and manufacture of electronic systems for the aerospace industry, with a focus in three product groups: Audio, Avionics and Structures.

AvtechTyee products are flying onboard 42 aircraft types within the air transport, regional commuter, and business jet sectors, serving 450 customers in 49 countries of the world.

Our versatility in supporting aerospace electronics requirements ranges from the custom design and manufacturing of complex power supplies to complete Digital Audio Systems.

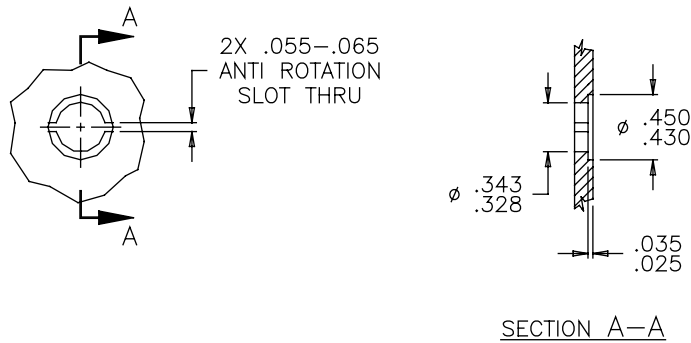
AvtechTyee is certified to ISO9001, AS9100 and the FAA's ACSEP. Product Support includes in-house repair services (FAA approved Repair Station #IG6R621N), loaner/exchange programs, and both in-house and offsite airline training.

AvtechTyee Corporation

6500 Merrill Creek Parkway
Everett, Washington 98203

www.AvtechTyee.com
info@AvtechTyee.com
Tel: (425) 290-3100
Fax: (425) 513-6474

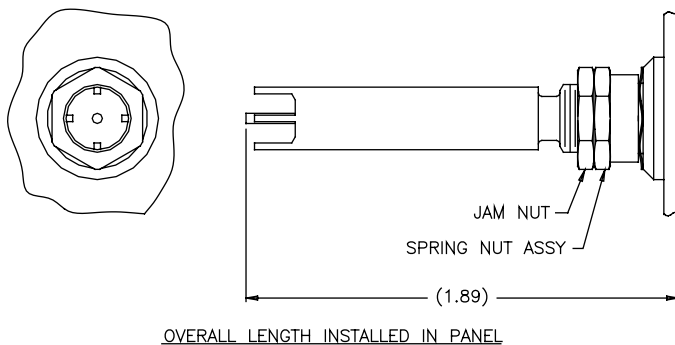
SUGGESTED PANEL CUT-OUT



CHARACTERISTICS

Characteristic	Description
Radial Float	.005 to .010 inches
Axial Grip on Mounting Plate	3 to 5 pounds force
Lightplate Mating Force	4 lbs. Max.
Lightplate Extraction Force	2 lbs. Max.

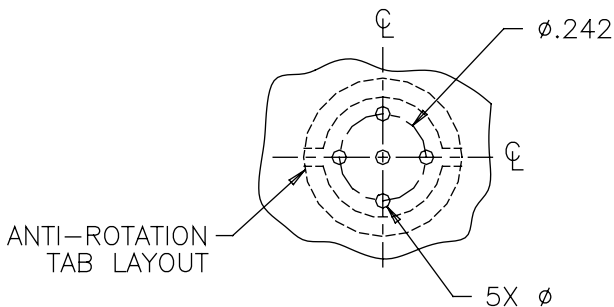
OVERALL LENGTH INSTALLED IN PANEL



ELECTRICAL REQUIREMENTS

Requirement	Value	Units
Operating Voltage	5 or 28 5 or 115	Vdc VAC
Output Current	3 Amp 1 Amp	5 or 28 Vdc 120 VAC
Dielectric Withstanding Voltage (Between insulated circuits)	1200	Vac 60Hz for 1 minute
Dielectric Withstanding Voltage (Between circuits and panel)	1500	Vac 60Hz for 1 minute
Contact Resistance	50	milliohms max

SUGGESTED CIRCUIT CARD LAYOUT



SUGGESTED CIRCUIT BOARD -

MATERIALS FINISHES

Material	Finish
Body	Brass per QQ-B-626 Plated QQ-N-290 (low stress nickel)
Center Contact	Berylco 25 plated MIL-C-26074 (Elec. nickel)
Spring Nut and Jam Nut	Brass per QQ-B-626 plated QQ-N-290 (low stress nickel)
Float/Insulator	Nylon



6500 Merrill Creek Parkway
 Everett, Washington 98203
www.AvtechTye.com
info@AvtechTye.com
 Tel: (425) 290-3100
 Fax: (425) 513-6474