

P R O V E N

Quality, Dependability and Reliability

The 436 series switch uses highly reliable Hall Effect magnetic switching to produce a contact that is solid state yet still maintains the feel of a classic push-button switch with travel. The 436 series uses LED illumination and meets applicable requirements of MIL-S-22885 for sunlight readability.



436 SERIES SPDT MOMENTARY HALL EFFECT SWITCH

The 436 series switch is comprised of three parts; the cap assembly which contains an integrated elastometric seal, the base assembly which houses the LEDs and Hall Effect transducer, and the retainer sleeve which provides housing for the entire assembly.

- Single Pole Double Throw (SPDT) momentary switch action
- Uses Hall Effect switching for "contact-less" long life switching
- Functional in harsh environments
- Over 500,000 cycles switch life
- Integrated panel sealing
- High reliability LED lighting
- Sunlight readable with dead face switch cap
- The 436 series switch can be joined together into a switch module that contains a circuit card for easy integration
- Custom legends, fonts and colors available
- Switches have been certified on the B777 for flight deck use

AvtechTyee Corporation

6500 Merrill Creek Parkway

Everett, Washington 98203

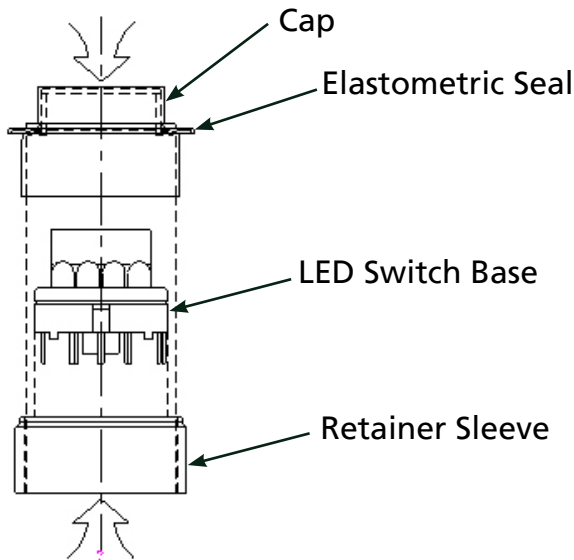
www.AvtechTyee.com

Tel: (425) 290-3100

Fax: (425) 513-6474



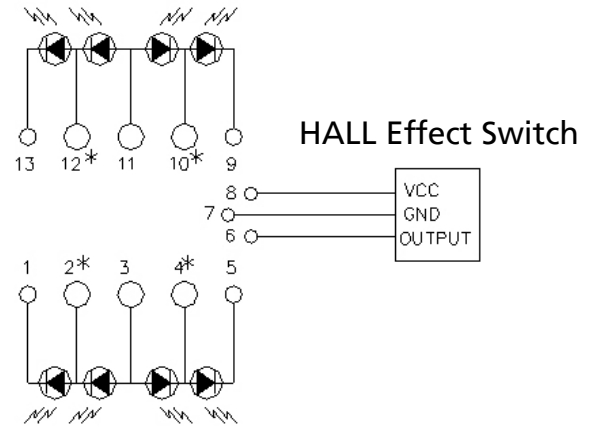
SWITCH ASSEMBLY



MECHANICAL REQUIREMENTS

Requirement	Value	Units
Switch Actuation (Momentary)		
Switch Force	16 Min 22 Typ 30 Max	oz
Total Travel	0.060	Inches
Switching Point	0.045	Inches
Soldering	Suitable for solder reflow	
Cleaning	Water washable	
Weight (Retainer, Base, Cap)	0.10 Max	oz
Switch Life	500,000	cycles

SCHEMATIC PINOUT (Top View)

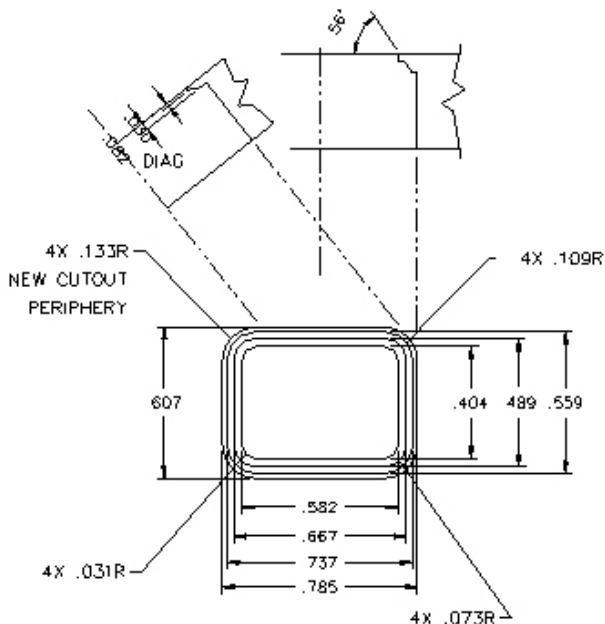


* Internal connection only - Do not connect to ground

ELECTRICAL REQUIREMENTS

Requirement	Value	Units
HALL IC Supply Voltage (Pins 7, 8)	3.8 Min	V
Output Saturation Voltage	60 Max 0.7 Nom	mV
HALL IC Supply Current	5 Max	mA
Output Leakage Current	5 Max	μ A
LED Supply Current	40 Max	mA

LIGHTPLATE INTERFACE DIMENSIONS



Sample of a Boeing 777 panel which uses the 436 series of switch